

VGA-SP4 Instruction Manual

Admeasure :

Good quality for electrocircuit Design .One line input ,many line output .Show it clear-cut .

Design :

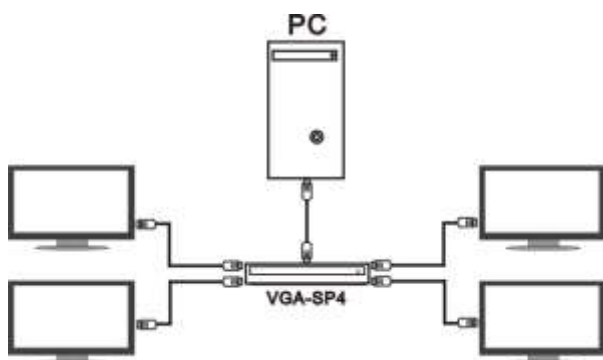
Keep it show clear-cut , the signal output alone by each port , noninterference each other . High-power drive load .Keep it the signal output good quality .

Adhibition :

1. Public Video System (Stockjobber .Time-bargain Market .Finance Securities Business act.)
2. Easy Computer Teach .
3. High-Quality Multimedia display .
4. High-clear LCD Screen .Plasm TV display concil house .
5. Calculator display concil house.
6. Video Meeting .

Technique Parameter :

1. Signal :VGA .SVGA.XGA.QXGA, UXGA and Multisync displays
2. Input port:1 Port x High Density DB15 (Female)
3. Output port :4 port x High Density DB15 (Female)
4. Video input :1Vp-p
5. Video impedance :75 Ω
6. Video gain : 0db \cong DG \cong 1db
7. Maximum Video Resolutions :1920 \times 1440@85HZ
8. VGA Bandwidth:350M/-3db
9. AC area:185V-250V 50Hz
10. Rated power :4W
11. Operating Environment Temperature:-10 $^{\circ}$ C-40 $^{\circ}$ C
12. External Dimensions : 145 \times 83 \times 45mm



Warnings :

1. To avoid Electrical Shock, do not open the cabinet .Refer servicing to qualified personal only .
2. Put this machine on Ventilation Place.
3. Do not expose the machine to high temperatures ,high humidity ,or direct sunlight .
4. Before cleanness power off . Don't use chemical wipe .