



H.264 HDMI Extender over TCP/IP





1. Description

The H.264 HDMI extender transmit HD video and audio over one cat5e/cat6 cable. At the same time, support one to many with Ethernet switch. It's more convenient with infrared extensions to make remote control.

The equipment has excellent image processing and transmission capacity, makes signal transmission more smooth and steady, is a kind of economic and efficient way of HDMI signal extension.

2. Features

- Apply H.264 technology.
- Distance up to 200m over CAT6 cable;
- Video resolution max up to 1920*1080@60Hz
- Support 1 to many receivers (253pcs with Ethernet switch)
- Support IR signal transmission; loop-out; over TCP/IP.
- HDMI 1.3 and HDCP 1.2 standard;
- High compatibility, can auto-match source and display device;
- Built-in automatic adjustment system, make the image smooth, clear and stable;
- Built-in ESD protection system; Simple to install, plug and play;
- Compact size
 - In-line connection
 - TCP/IP Ethernet communication TCP/IP
 - Digital signage
 - DID (Digital Information Display)
 - 1:N Broadcasting
 - Real-Time Video/Audio Transmission over IP
- Server
 - Pure Ethernet
 - Simple Cabling



- Application Fields
1 : N Solution
Shop, restaurant, kiosk, classrooms, Monitor, Speaker,
Energy Saving , virtual desktop
Digital Camera
TCP/IP Network
- Ordinary 100M or 1000M Ethernet switch , data is 5-10M.
- IP configuration
- DC-in (12V 1A)

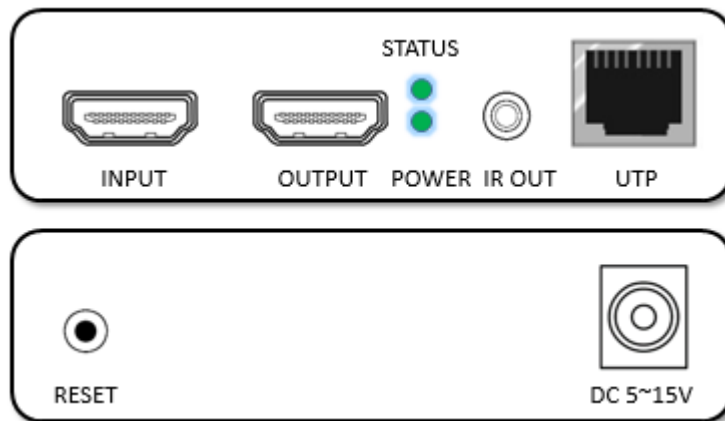
3. Specifications

	Parameter	Description
Video	Standards	HDMI 1.3; HDCP 1.2
	Maximum pixel clock	165MHz
	Maximum data rate	6.75Gbps
	Resolution	Max: 1920X1080@60Hz
	Connector	HDMI-A
	Impedance	100Ω
IR	Interface	3.5mm earphone seat
	Signal direction	Unidirectional
	Signal type	Digital
	IR frequency	38kHz
Ethernet	Interface	RJ45
	Transmission distance	CAT6-200m , CAT5E--150m,CAT5-120m
Other	Power supply	The power adapter: DC 12V/1A

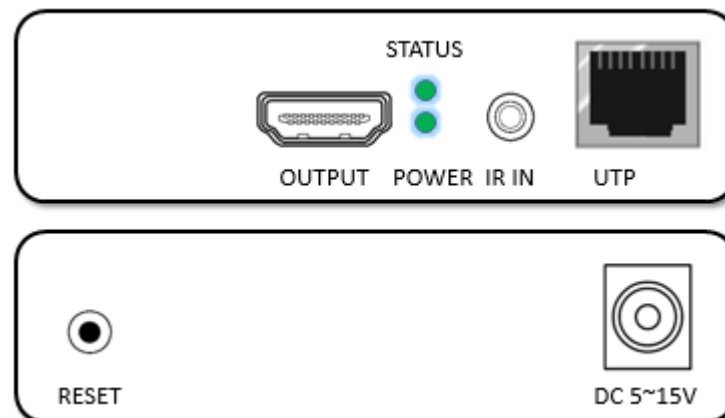
Power dissipation	MAX 8W
Temperature	Operating: -5°C ~ +70°C
Humidity	Operating: 5% ~ 90%
Dimension	11x8x2.8cm
The warranty	1 year free warranty

4. Panel

Transmitter:



Receiver:





Port name	Description
HDMI IN/OUT	HDMI signal input/output
IR IN/OUT	IR signal input/output
UTP	Ethernet interface
DC/5V-15v	Power adapter socket
RESET	Press for 5 second to restore system setting to factory default
LED indicator	Description
STATUS	Video signal connection indicator
POWER	System power indicator

5. Installation

- 1、 Connect the provided DC 12V 1A power supplies to the power socket of the transmitter and the receiver,
- 2、 Connect an HDMI cable between the HDMI input port of transmitter and the HDMI output port of the video source,
- 3、 Connect the HDMI output port of receiver to the display device with HDMI cable,
- 4、 Connect the transmitter RJ45 port to the receiver RJ45 port using a single CAT6 cable.
- 5、 IR function---connect the IR TX (the bigger) cable to the HDMI receiver, connect IR RX cable to the HDMI transmitter and the IR TX must face to the controlled device.

6. Diagram

One to one

