

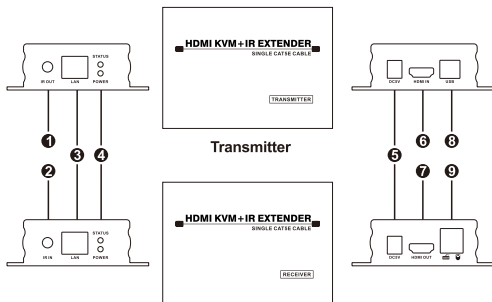
HDMI KVM+IR Extender

User manual

FEATURES:

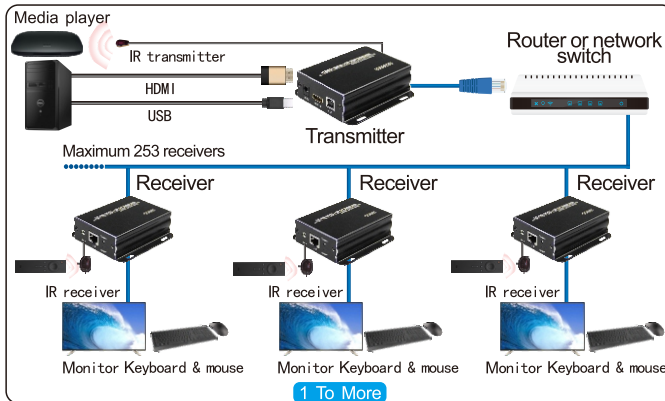
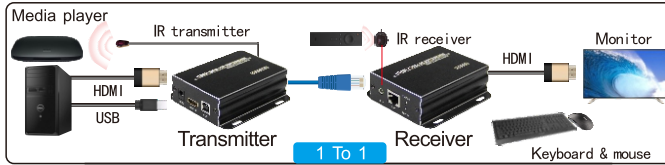
- Use single UTP cable (CAT5e/6) to substitute HDMI cable to extend longer transmission distance (up to 120 metres)
- Support resolution up to 1080P@60Hz
- Support up to 2.25Gbps data rate
- Support 8KV ESD protection
- Support TMDs equalization and enhancement
- By transmitting keyboard and mouse data via LAN, it is easy to control PC or other media players remotely.
- Via router or network switch, it is available to send data from one transmitter to several receivers.

PANEL DESCRIPTIONS



- 1 IR transmitter port
- 2 IR receiver port
- 3 UTP cable port
- 4 Led indicators of power supply and connection status
- 5 DC 5V input
- 6 HDMI input
- 7 HDMI output
- 8 USB cable in
- 9 Keyboard and mouse input

CONNECTION DIAGRAM



Package included:

- 1 * Transmitter , 1 * Receiver
- 2 * DC 5V power supply
- 1 * IR transmitter , 1 * IR receiver
- 1 * User manual