



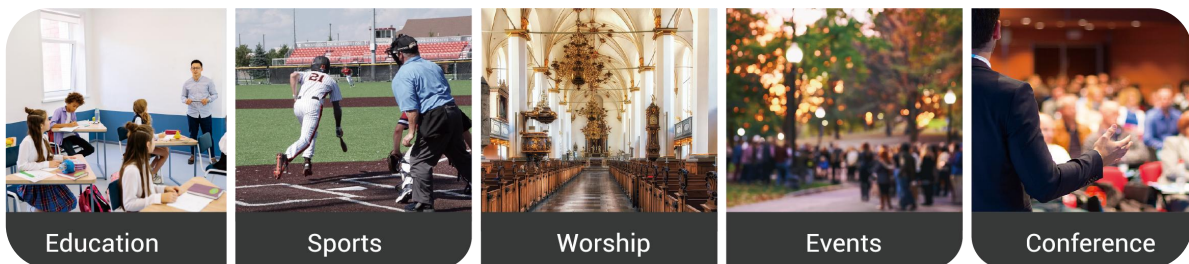
RGBlink®



mini-pro v3

Streaming Switcher

This is the 3rd generation of mini-pro, mini-pro v3 features four 4K HDMI inputs and dual HDMI outputs. Both Line and Mic level audio supported on board with variable delay controls to bring audio into sync if needed. USB output supports YUY2, MJPEG and H.264 encoding formats, which can be recognized as webcam for streaming to Facebook, YouTube, ZOOM, etc. mini-pro is built with LCD touch screen to display video sources. mini-pro supports simultaneous streaming to 4 live streaming platforms via RTMP(S) and 24/7 recording with capacity of hard drive up to 2TB. mini-pro is packed with features including dynamic output control, multi-view preview, picture in picture, Chroma Key, transitions, on board PTZ camera controls and much more.



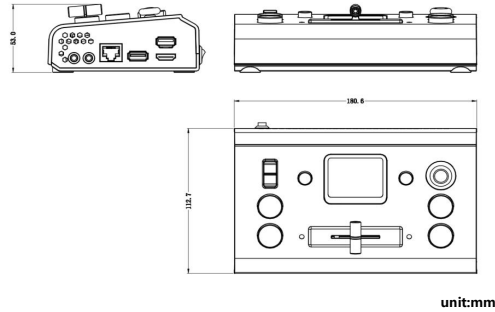
Key Features

- mini and is convenient to carry
- Built-in LCD for video preview and touch menu operation
- Quad HDMI 2.0 inputs (HDCP compliance), resolutions up to 4K@60
- Dual HDMI 1.3 outputs for monitoring of multi-view Preview, Program or AUX
- Mix for 4-channel HDMI embedded and 2-channel external audio
- AUTO and WIPE Switch mode available
- 15 transition effects
- USB 3.0 one-key recording in exFAT or FAT32 format with up to 16Mbps
- USB output supports YUY2 format, which can be recognized as webcam for streaming
- Support RTMP(S) network streaming up to 2 platforms
- Save and load PTZ presets. One-click for preset recall
- 5-direction joystick and toggle for controlling PTZ camera (IP VISCA Protocol supported)
- Specify either "green" or "blue" as the key color for Chroma Key
- Support APP control, compatible with mobile devices and desktop

Application



Dimension



Specification

mini series mini-pro

Connectors	Input	HDMI 4K	4×HDMI-A
	Output	HDMI 2K	2×HDMI-A
		USB (Record)	1×USB-A
		USB (Stream)	1×USB-A
	Audio	Input	2×3.5mm mini-Jack
	Output	1×3.5mm mini-Jack	
Communication/Stream	LAN	1×RJ45	
Power	Power Supply	1×USB-C	
Performance	Input Resolutions	HDMI 2.0	1280×720p@50/60 1280×768p@60 1280×1024p@60 1366×768p@60 1366×768p@60 1600×900p@60 1920×1080i@50/60 1920×1080p@30/50/60 3840×2160p@23.97/24/25/29.97/30/50/59.94/60
	Output Resolutions	HDMI 1.3	1280×720p@50/60 1920×1080p@24/30/50/60
		USB	1280×720p@60 1920×1080p@24/25/30/50/60
	Video	Bit Depth	8 bit/10 bit/12 bit
		Video Formats	HDMI 2.0 HDCP 2.2
		Color Space	RGB 8bit YUV 4:4:4 YUV 4:2:2 YUV 4:2:0
	Audio	Video Latency	<3 frames
		Audio Format	LPCM/2ch/24bit/16bit/48kHz
	Record/Storage	Color Space	RGB 8bit
		Record Formats	MP4 (up to 16Mbps)
Supported Standards	Disk Formats	FAT32(≤32 GB) exFAT(64GB~2T)	
	HDMI	2.0	
	USB	3.0	
	H.265	ITU-T H.265/ ISO/IEC 23008-2	
Power	Compatibility	USB Power Delivery (PD) 3.0	
	Supported Cables	Certified USB PD Aware	
	Input Voltage	PD 12V/1.5A	
	Maximum Power	20W	
Environment	Temperature	0°C~60°C	
	Humidity	10%~85%	
Physical	Net Weight	0.42kg	
	Packaged Weight	1.20kg	
	Net Dimension	180.6mm × 112.7mm × 53mm	
	Packaged Dimension	255mm × 145mm × 85mm	

Order Codes

Order Codes	Item
230-0003-03-0	mini-pro

Contact us

Tel: +86-592-5771197
 Fax: +86-592-5788216
 E-mail: sales@rgblink.com
 Headquarter: Room 601A, No. 37-3 Banshang community, Building 3,
 Xinke Plaza, Torch Hi-Tech Industrial Development Zone, Xiamen, China



www.rgblink.com