

# 4K HDMI 1X2 SPLITTER

## User Manual

### 1. Product Introduction

The 1x2 HDMI Splitter distributes 1 HDMI source to 2 HDMI displays simultaneously. adapt to a variety of complex application environments and enhance device compatibility. It offers HD video solution for super market, shopping Mall, HDTV/STB/DVD/Projector /DVR factory, data control center, information distribution, conference room presentation, education and training, corporation showroom, luxurious house, etc.

### 2. Main Features

- 1 HDMI input signal split to 2 HDMI sink devices.
- 3D HDMI 1.4a video format support.HDCP 1.4 protocol compliant.
- 3D video support including frame packing for all 3D formats up to a 297MHz TMDS clock.
- Support display resolutions up to 4K x 2K@30Hz, 1080P@120Hz,and 1080P 3D@60Hz
- Support deep color 30bit, 36bit, 48bit per pixel.
- Digital audio format, as DTS-HD/Dolby-true-HD/LPCM 7.1/DTS/Dolby-AC3/DSD.

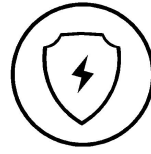
### 3. Product Advantage



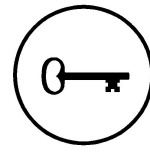
Up to 4K@30Hz



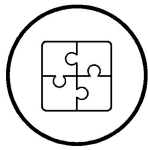
Support 3D



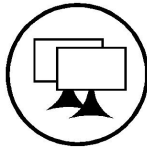
ESD Protection



HDCP 1.4; HDMI1.4



high compatibility



Lossless split



Smooth playback



Plug and play

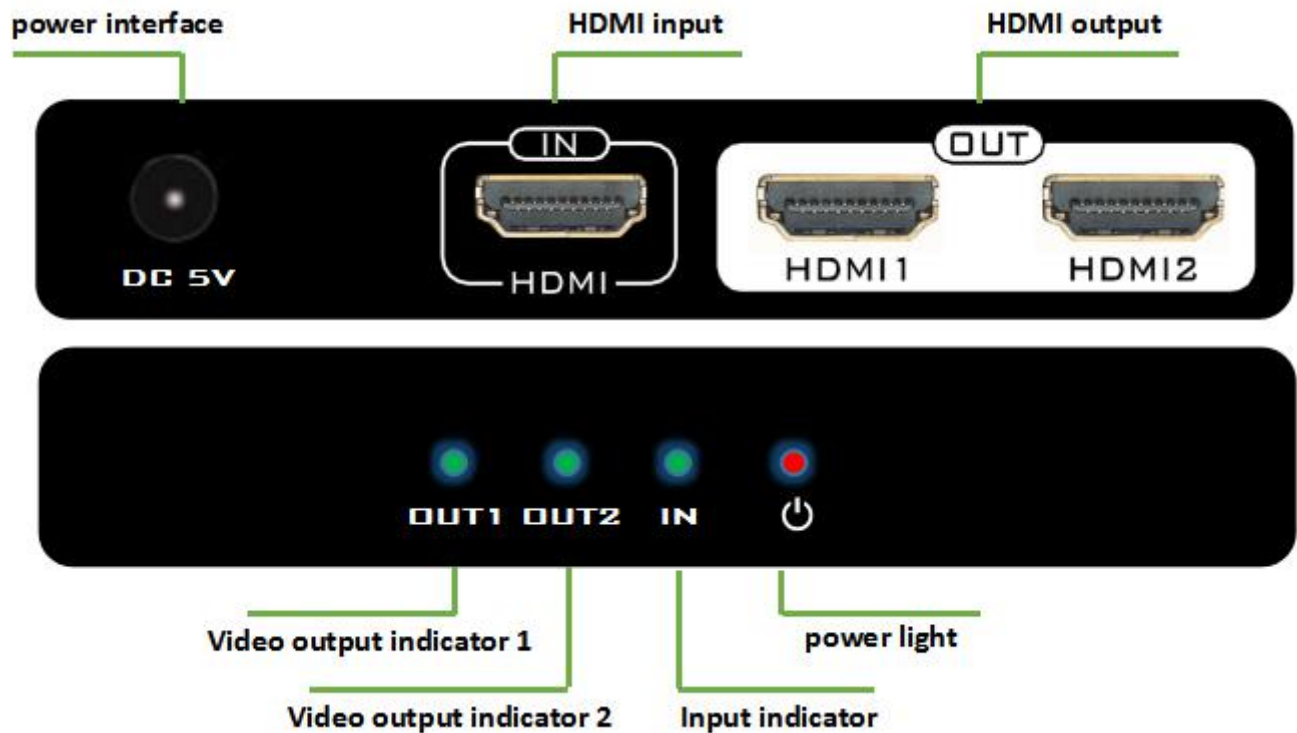
### 4. Packing List

- HDMI Splitter x 1pc
- Power Adapter x 1pc
- User Manual x 1pc

## 5. Specification

Video	Protocol	HDMI 1.4; HDCP 1.4
	HDMI Pixel bandwidth	225MHz
	HDMI Interface bandwidth	Total bandwidth 10.2Gbps
	Highest Resolution	3840*2160@30Hz; 4K@60hz (4:2:0)
	Connector	HDMI-A
	HDMI Interface impedance	100Ω
	HDMI cables	1920X1080@60Hz ≤ 5 meters
Others	Power supply	DC 5V
	Power consumption	MAX 3W
	Operating Temperature	-5°C ~ +70°C
	Relative Humidity	5% ~ 90%
	Size	108*55*19mm
	Warranty	1 year warranty

## 6. Connector Details



1. **HDMI OUTPUT:** These slots are where you connect the HDTV or monitor with HDMI cable.
2. **HDMI INPUT:** This slot is where you connect the HDMI source output from DVD, PS3.
3. **DC 5V:** Plug the 5V DC power supply into the unit and connect the adapter to AC wall outlet.

## 7. Connect Diagram

